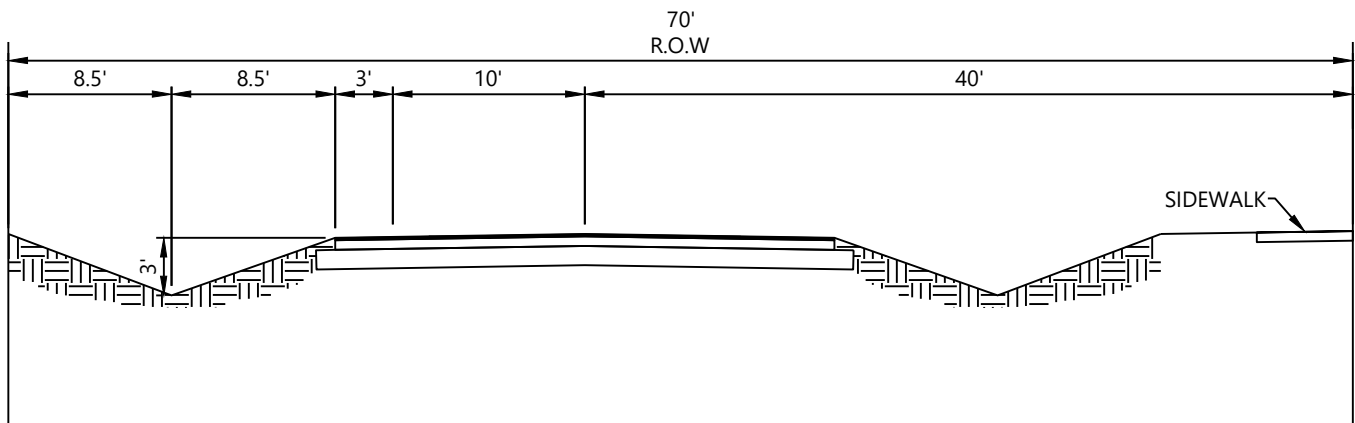
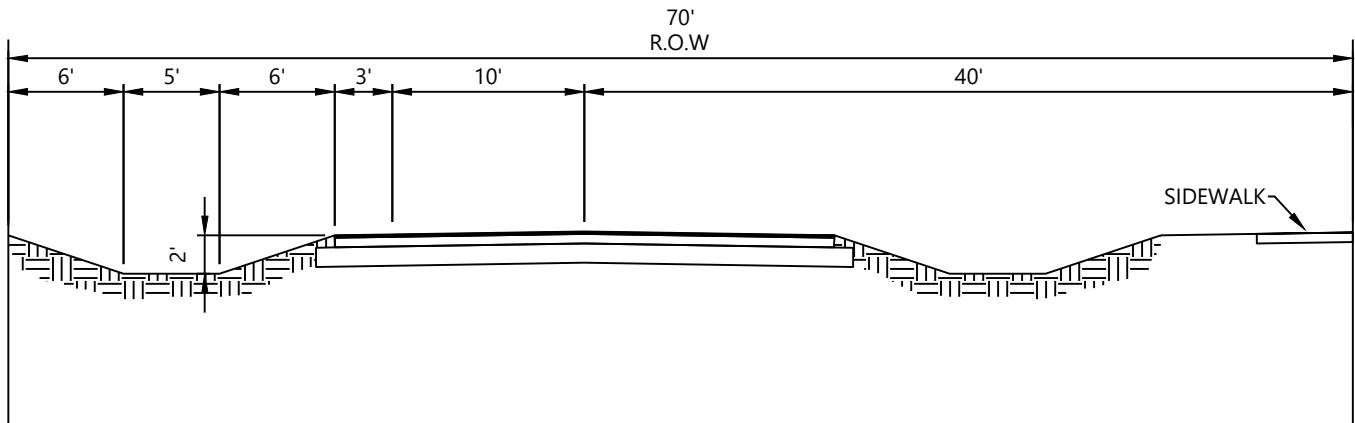


6610 Willow Park Drive, Suite 200 | Naples, Florida 34109
 (239) 597-0575 FAX: (239) 597-0578
 www.consult-rwa.com
 Florida Certificates of Authorization EB 7663 LB 6952

DATE:	SEPT. 2017		
SCALE:	N.T.S.		
DRAWN BY:	OL		
DESIGNED BY:	MJS		
SEC:	TWP:	RGE:	
34	48	25	

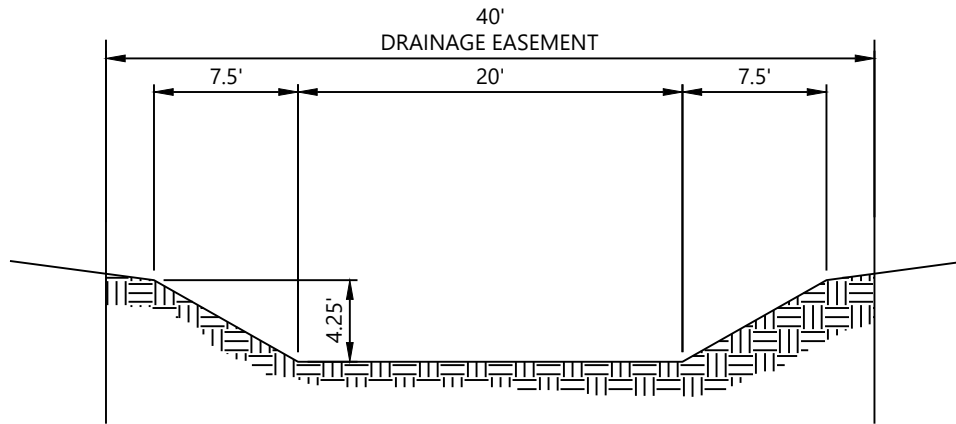
CLIENT:	COLLIER COUNTY		
	STORMWATER MANAGEMENT SECTION		
TITLE:	TYPICAL CROSS SECTION		
	60' RIGHT-OF-WAY		
PROJECT NUMBER:	1300630028	SHEET NUMBER:	1 OF 03
		FILE NUMBER:	1300630028X TS



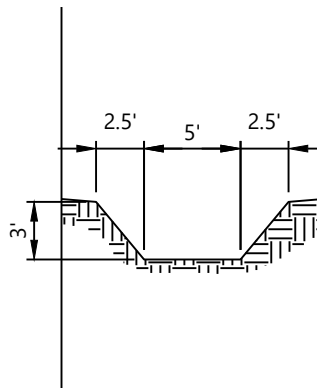
6610 Willow Park Drive, Suite 200 | Naples, Florida 34109
 (239) 597-0575 FAX: (239) 597-0578
 www.consult-rwa.com
 Florida Certificates of Authorization EB 7663 LB 6952

DATE:	SEPT. 2017		
SCALE:	N.T.S.		
DRAWN BY:	OL		
DESIGNED BY:	MJS		
SEC:	TWP:	RGE:	
34	48	25	

CLIENT:	COLLIER COUNTY		
	STORMWATER MANAGEMENT SECTION		
TITLE:	TYPICAL CROSS SECTION		
	70' RIGHT-OF-WAY		
PROJECT NUMBER:	1300630028	SHEET NUMBER:	2 OF 03
		FILE NUMBER:	1300630028X TS



TYPICAL CROSS SECTION
BASIN 2 CANAL



TYPICAL CROSS SECTION
BASIN 6 DISCHARGE SWALE



6610 Willow Park Drive, Suite 200 | Naples, Florida 34109
(239) 597-0575 FAX: (239) 597-0578
www.consult-rwa.com
Florida Certificates of Authorization EB 7663 LB 6952

DATE:	SEPT. 2017		
SCALE:	N.T.S.		
DRAWN BY:	OL		
DESIGNED BY:	MJS		
SEC:	TWP:	RGE:	
34	48	25	

CLIENT:	COLLIER COUNTY STORMWATER MANAGEMENT SECTION		
TITLE:	TYPICAL CROSS SECTION CANAL AND SWALE		
PROJECT NUMBER:	1300630028	SHEET NUMBER:	3 OF 03
FILE NUMBER:	1300630028X TS		